

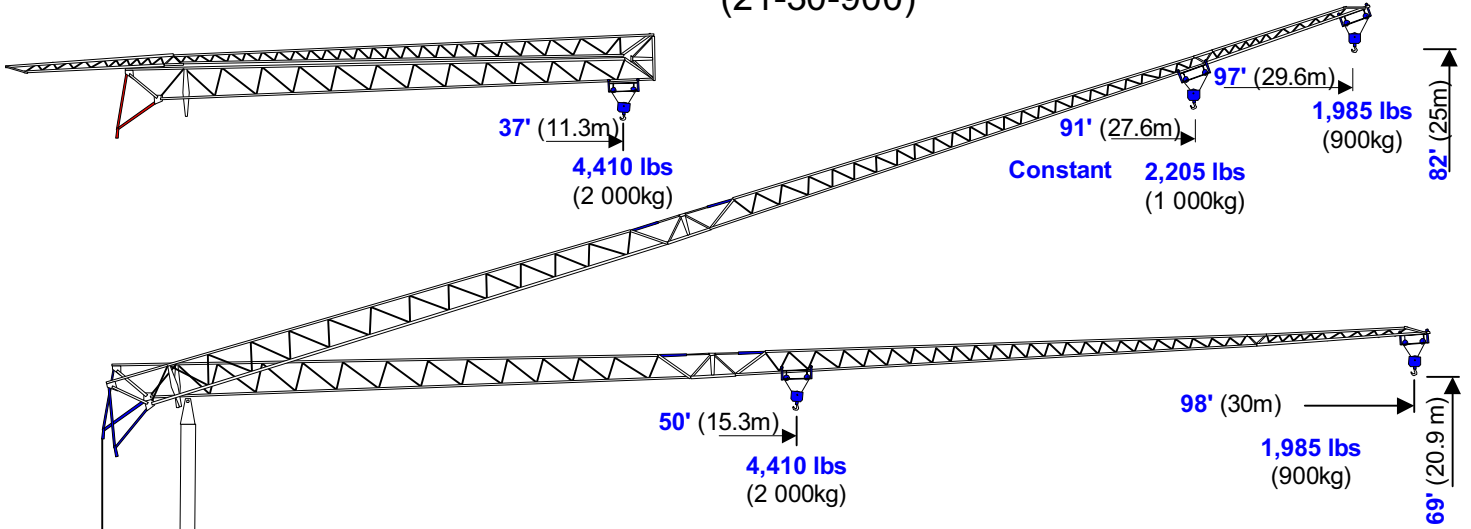


benazzato

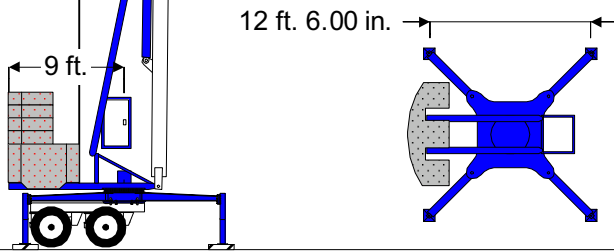
Self-Erecting Crane

2098 (206)

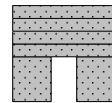
69' - 98' - 1,985 lbs
(21-30-900)



Power Requirements
Single Phase OR Three Phase
240V or 480V



- Base Ballast X 2 8,820 lbs
- Ballast Blocks X 4 3,970 lbs
- Total Ballast: 33,520 lbs
- Crane Weight: 21,500 lbs
- Axles: 4,500 lbs
- Total Erected Weight: 59,520 lbs



Hook Radius	ft.	50	52	59	66	72	79	85	92	98
	meters	15.3	16	18.0	20.0	22.0	24.0	26.0	28.0	30.0
Maximum Capacities	lbs.	4,410	4,145	3,616	3,197	2,867	2,580	2,359	2,161	1,985
	tonnes	2.00	1.88	1.64	1.45	1.30	1.17	1.07	0.98	0.90

Central Plains Cranes

Call 913-660-4102

info@centralplainscranes www.centralplainscranes